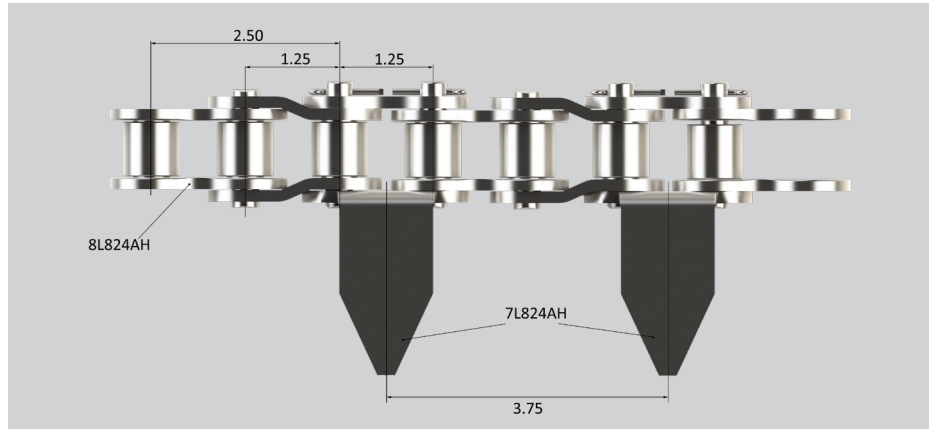


IN STOCK AND READY TO SHIP PARTS AND ASSEMBLIES FOR:

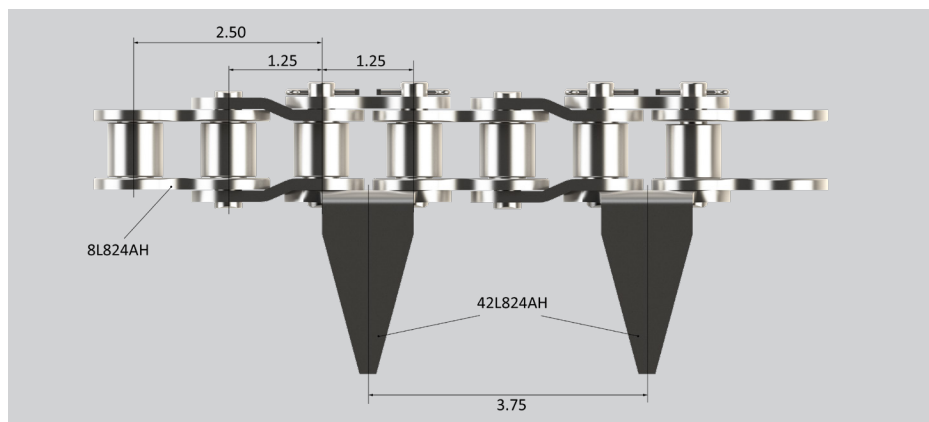
Chain and Sprockets

**#100 Chain
with 8L824AH
for 120L/121L**



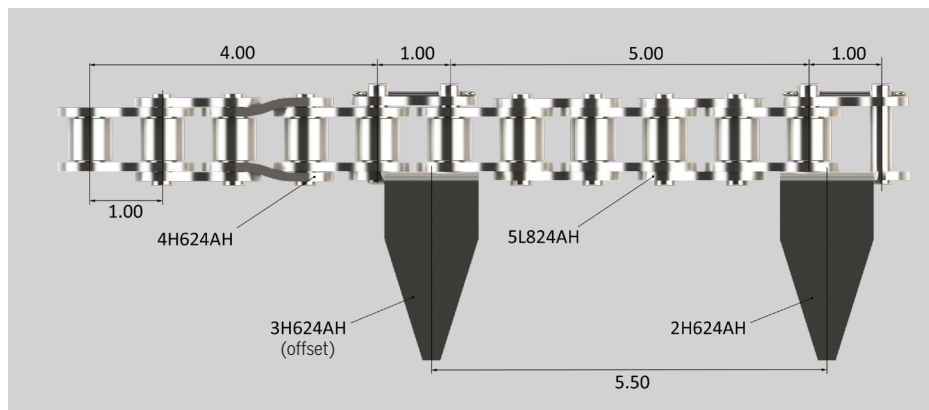
9L824AH

**#100 Chain
with 8L824AH
for 120L/121L**



20S824AH

**#80 Chain
with 4H624AH
for 61H/62H
or 120L/121L**



20S824AH

NOTE: 5L824AH chain segments can also be assembled with 4L824AH finger (1L824AH sprocket needed) resulting in a 6" finger-to-finger pitch.

American Holt - MRO strategies for OEM parts and assemblies

In stock and ready to ship • 781-440-9993 • sales@americanholt.com • www.americanholt.com

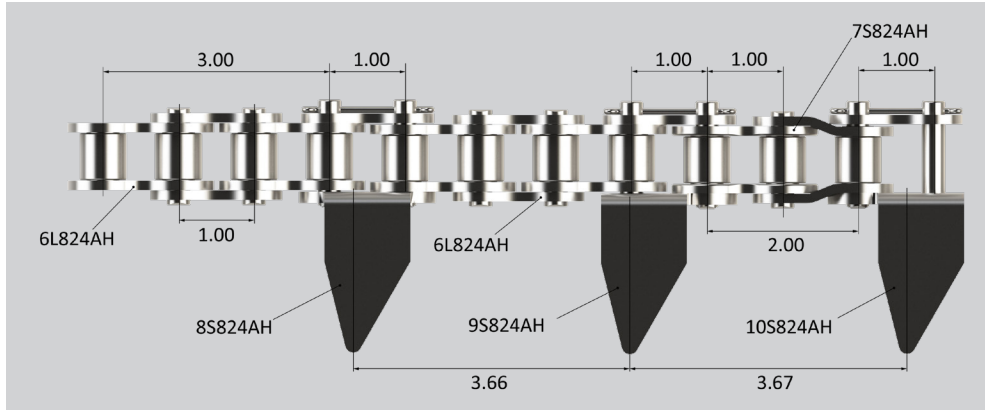
Notice

ALL PARTS OFFERED BY AMERICAN HOLT ARE MANUFACTURED BY OR FOR AMERICAN HOLT AND NOT BY OR FOR THE ORIGINAL EQUIPMENT MANUFACTURER. PART NUMBERS SHOWN THAT ARE THOSE OF THE ORIGINAL EQUIPMENT MANUFACTURER, IF ANY, ARE USED FOR REFERENCE PURPOSES ONLY. AMERICAN HOLT IS AN INDEPENDENT SUPPLIER OF QUALITY REPLACEMENT PARTS HAVING NO AFFILIATION WITH ANY ORIGINAL EQUIPMENT MANUFACTURER. FLYER 107-1

IN STOCK AND READY TO SHIP PARTS AND ASSEMBLIES FOR:

Chain and Sprockets

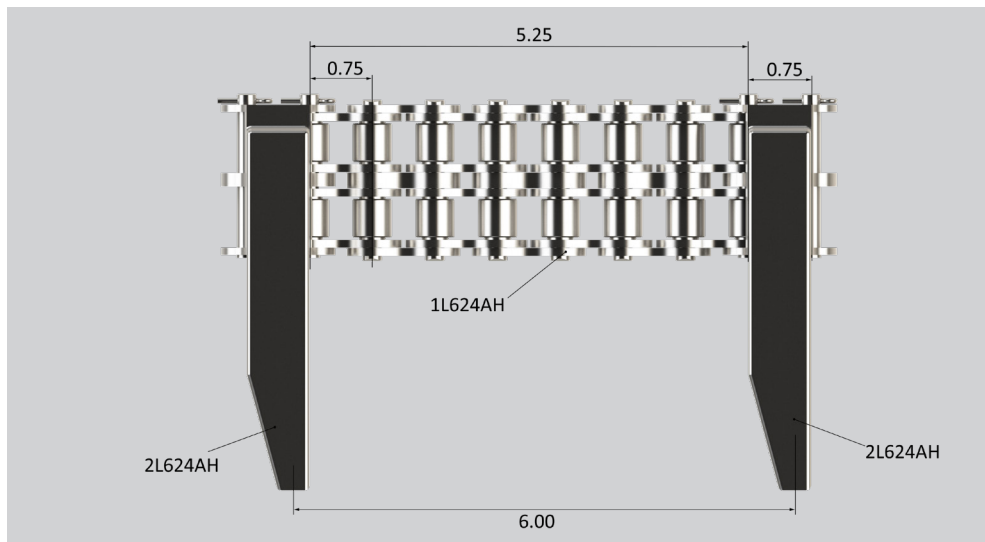
#80 - 12S824AH Chain with 6L824AH for 180S



20S824AH

NOTE: 6L824AH chain segments can also be sold with 4L824AH finger (1L824AH sprocket needed) resulting in a 4.125" finger-to-finger pitch for 61H/62H or 120L/121L.

Chain for 60L with 1L624AH



3L624AH

Please provide your finger part number and the quantity of fingers you will need - and we can figure out the rest.

***American Holt recommends replacing your chain and sprocket together to ensure accuracy and extend the life of your system. If you buy at least 20ft of chain, you will receive a 20% discount on your sprocket!**

American Holt - MRO strategies for OEM parts and assemblies

In stock and ready to ship • 781-440-9993 • sales@americanholt.com • www.americanholt.com

Notice

ALL PARTS OFFERED BY AMERICAN HOLT ARE MANUFACTURED BY OR FOR AMERICAN HOLT AND NOT BY OR FOR THE ORIGINAL EQUIPMENT MANUFACTURER. PART NUMBERS SHOWN THAT ARE THOSE OF THE ORIGINAL EQUIPMENT MANUFACTURER, IF ANY, ARE USED FOR REFERENCE PURPOSES ONLY. AMERICAN HOLT IS AN INDEPENDENT SUPPLIER OF QUALITY REPLACEMENT PARTS HAVING NO AFFILIATION WITH ANY ORIGINAL EQUIPMENT MANUFACTURER. FLYER 107-2