

IN STOCK AND READY TO SHIP PARTS AND ASSEMBLIES FOR:

Continental Lifter Assemblies

D-1223430-MAH

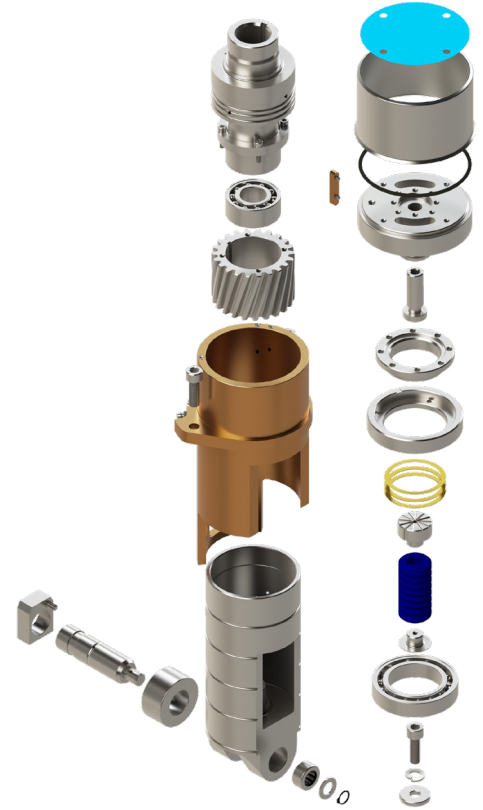
D-1269201-MAH



for 2006 HCM



for 2003/2006 RCM



GEAR OPTIONS

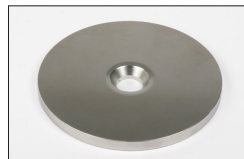


N-922372AH
2003/2006 RCM
Left-Hand Helix Teeth



1357708AH
2004 RCM
Right-Hand Helix Teeth

LIFTER PLATE OPTIONS



1358773AH-STELLITEAH
for 4-1/2 (4-1/2" x 5/16")



1267019AH Plate
for 603 (6.75" x 0.187")

SPRING OPTIONS

- 669978AH Blue Spring – 490 Lbs/In. (Available Now)
Recommended for Aluminum Beverage & Lightweight Food Cans
- 682633AH Green or Brown Spring – 800 Lbs/In. (Special Order)
Recommended for Food Cans and Heavy Steel Beverage
- 1364824AH Medium Blue Spring – 288 Lbs/In. (Special Order)
Recommended for Lightweight Cans

American Holt - MRO strategies for OEM parts and assemblies

In stock and ready to ship • 781-440-9993 • sales@americanholt.com • www.americanholt.com

Notice

ALL PARTS OFFERED BY AMERICAN HOLT ARE MANUFACTURED BY OR FOR AMERICAN HOLT AND NOT BY OR FOR THE ORIGINAL EQUIPMENT MANUFACTURER. PART NUMBERS SHOWN THAT ARE THOSE OF THE ORIGINAL EQUIPMENT MANUFACTURER, IF ANY, ARE USED FOR REFERENCE PURPOSES ONLY. AMERICAN HOLT IS AN INDEPENDENT SUPPLIER OF QUALITY REPLACEMENT PARTS HAVING NO AFFILIATION WITH ANY ORIGINAL EQUIPMENT MANUFACTURER. FLYER 110