

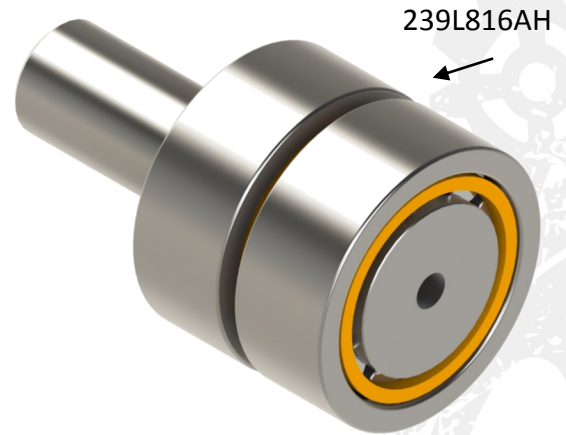
## Seaming Cam Roller Assembly 239L816AH

### Aftermarket Parts for Angelus 120/121L, 140S, 180S and P Machines

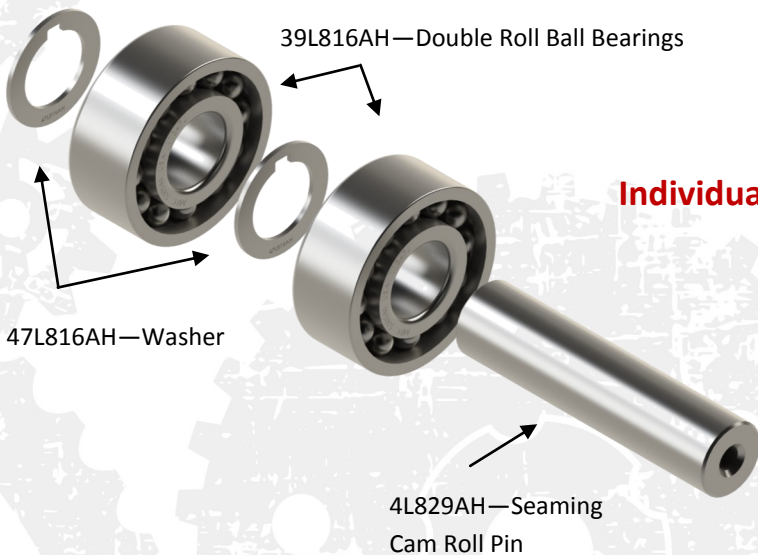
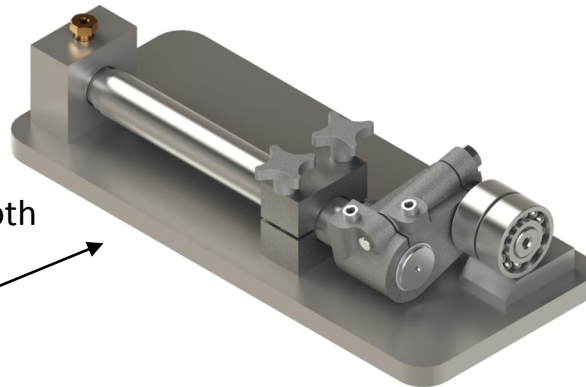
#### Dual Roller Cam Follower—Preset for Fast Installation

#### Stud Type with SKF Explorer Roller Bearings made in Germany

**Includes: (2) 39L816AH Ball Bearing; (2) 47L816AH Washer; (1) 4L829AH Seaming Cam Roll Pin**



**Fixture, 187L816AH**, used for both versions of cam rollers to set orientation



**Individual Components also Sold Separately**

**NOTICE:** All parts offered by American Holt are manufactured by or for American Holt and not by or for the original equipment manufacturer. Part numbers shown that are those of the Original Equipment Manufacturer, if any, are used for reference purposes only. American Holt is an independent supplier of quality replacement parts having no affiliation with any original equipment manufacturer. All prices subject to change without notice.