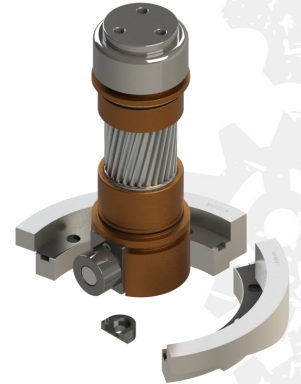


**Reduce Inventory Costs and Machine Downtime**  
**Assemblies Built with ALL NEW PARTS**

**In-stock with 24 Hour Shipping**  
**Assembled with Genuine Timken Bearings**

## Aftermarket Lifter Assemblies, Lower Chuck Plates and Cams for: Angelus 120-121L



11L800AH	Lower Chuck Bottom		
One of the following:	Lower Chuck Top Sections		
12L800AH	w/7L840AH, Blue Spring	23L820AH	Seaming Cam, 1st Operation
13L800AH	w/8L840AH, Red Spring	40L820AH	Lower Chuck Cam
14L800AH	w/9L840AH, Gold Spring	44L820AH	Lower Chuck Cam
15L800AH	w/10L840AH, Green Spring	3L820-AssyAH	Lower Chuck Return Cam, Discharge
One of the following:	Lower Chuck Plate	41L820-AssyAH	Lower Chuck Return Cam
36L827AH	3.000" Dia	45L820AH	Lower Chuck Return Cam
17L827AH	3.750" Dia	46L820AH	Lower Chuck Return Cam
61L827AH	4.500" Dia	81L820-AssyAH	Lower Chuck Return Cam
61L827AH-SolidStl	Solid Stellite	82L820-AssyAH	Lower Chuck Return Cam
61L827AH-STLAH	Stellite Inlaid	83L820AH	Knockout Cam
69L827AH	Tapered Domed	80L815AH	Lower Turret Guard V-Ring

### Components Also Sold Separately



## Aftermarket Spindle Assembly, Face Seal and Rotors for: Angelus 120-121L

18L800AH	Seaming Spindle Sub-Assembly w/232L844AH
One of the following:	Face Seal and Rotor
9L800AH	w/49H617AH Retainer
8L800AH	w/111L817AH Retainer

**NOTICE:** All parts offered by American Holt are manufactured by or for American Holt and not by or for the original equipment manufacturer. Part numbers shown that are those of the Original Equipment Manufacturer, if any, are used for reference purposes only. American Holt is an independent supplier of quality replacement parts having no affiliation with any original equipment manufacturer. All prices subject to change without notice.