

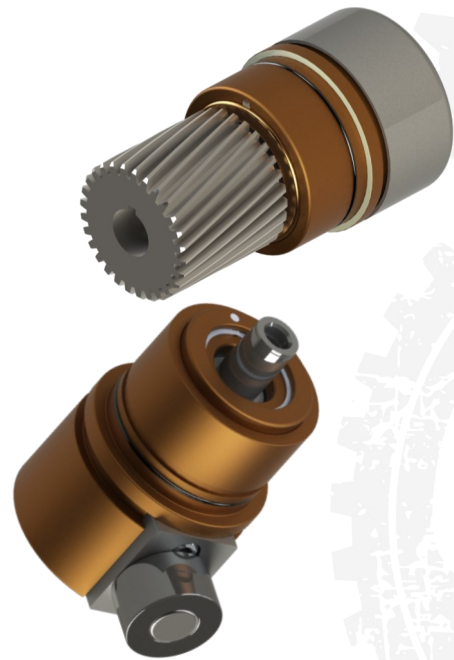
**Reduce Inventory Costs and Machine Downtime
Assemblies Built with ALL NEW PARTS**

**In-stock with 24 Hour Shipping
Assembled with Genuine Timken Bearings**

Aftermarket Lifter Assemblies, Lower Chuck Plates and Cams for: Angelus 140S

4S400AH	Lower Chuck Top w/8S840AH Springs
5S800AH	Lower Chuck Bottom
36S815AH	Guard V-Ring
3S827AH	Lower Chuck Plate
5S420AH	Lower Chuck Return Cam, Feed
6S420AH	Lower Chuck Return Cam, Discharge
13S820AH	Lower Chuck Return Cam, Feed
14S820AH	Lower Chuck Return Cam, Discharge

Components Also Sold Separately



Aftermarket Spindle Assembly, Face Seal and Rotor for: Angelus 140S



140S-Spindle-ASSYAH	Seaming Spindle Assembly
5S400AH	Face Seal, Rotor, and Lip Seal w/25S417AH Retainer
3S827AH	Lower Chuck Plate

NOTICE: All parts offered by American Holt are manufactured by or for American Holt and not by or for the original equipment manufacturer. Part numbers shown that are those of the Original Equipment Manufacturer, if any, are used for reference purposes only. American Holt is an independent supplier of quality replacement parts having no affiliation with any original equipment manufacturer. All prices subject to change without notice.