

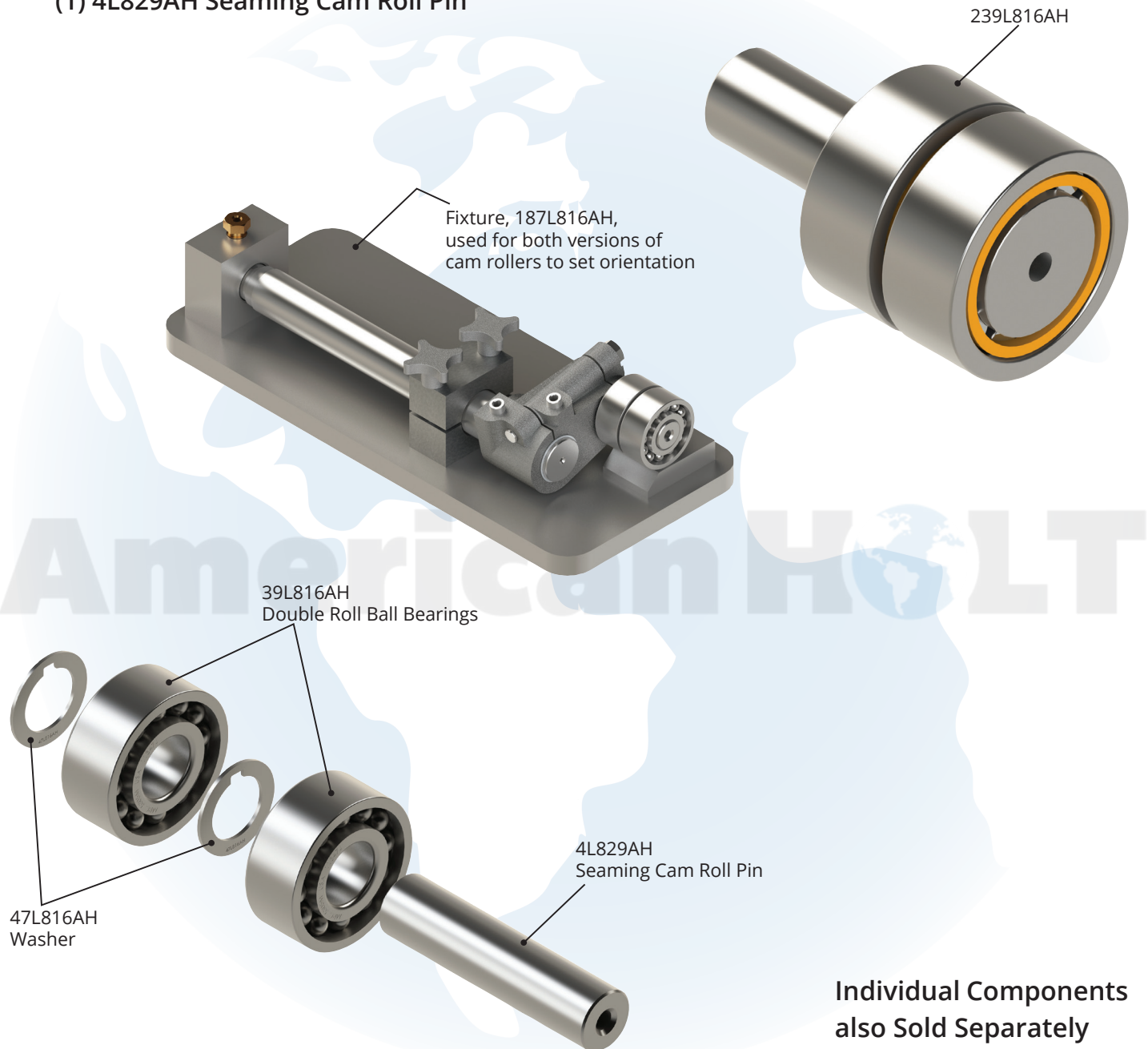
Seaming Cam Roller Assembly 239L816AH

Aftermarket Parts for Angelus 120/121L, 140S, 180S and P Machines

Dual Roller Cam Follower — Preset for Fast Installation
Stud Type with SKF Explorer Roller Bearings made in Germany

Includes:

- (2) 39L816AH Ball Bearing;
- (2) 47L816AH Washer;
- (1) 4L829AH Seaming Cam Roll Pin



sales@americanholt.com
www.americanholt.com

Call American Holt at
781-440-9993 for details.

American Holt
engineered savings®

Notice: All parts offered by American Holt are manufactured by or for American Holt and not by or for the original equipment manufacturer. Part numbers shown that are those of the original equipment manufacturer, if any, are used for references purposes only. American Holt is an independent supplier of quality replacement parts having no affiliation with any original equipment manufacturer. All prices are subject to change without notice.